

# DLK19-22 VENTILATING TOWERS

Characteristics	M.U.	DLR19XX0B	DLK19BX0B	DLK19CX0B	DLK22BX0B	DLK22CX0B
Fan air flow rate	m <sup>3</sup> /h	-	600/625	600/625	1050/1085	1050/1085
Fan+tower air flow rate	m <sup>3</sup> /h	-	550/590	550/590	800/950	800/950
Power supply	V ~ Hz	-	230 1~ 50-60	115 1~ 50-60	230 1~ 50-60	115 1~ 50-60
Dimensions HxWxD	mm	106x375x375	106x375x375	106x375x375	106x375x375	106x375x375
Absorbed electric power	W	-	70/90	65/80	120/155	110/135
Max. current	A	-	0,32/0,4	0,58/0,73	0,52/0,65	1,13/1,42
Over current protection	-	-	Inside motor	Inside motor	Inside motor	Inside motor
Electrical connection	-	-	Cable	Cable	Cable	Cable
Duty cycle	-	-	100%	100%	100%	100%
Temperature limits	°C	-	-20 +60	-20 +60	-20 +60	-20 +60
Protection level EN60529	-	IP44	IP44	IP44	IP44	IP44
Noise level	dB (A)	-	62/64	62/64	72/71	72/71
DLK + FIL35XNOB capacity	m <sup>3</sup> /h	-	500/540	500/540	700/730	700/730
Direction of the air flow	-	-	Inside towards outside	Inside towards outside	Inside towards outside	Inside towards outside
Motor support	-	-	Bearings	Bearings	Bearings	Bearings
Conformity	-	CE	CE	CE	CE	CE
Colour	-	-	RAL 7035 orange peel effect			

## Accessories/Options

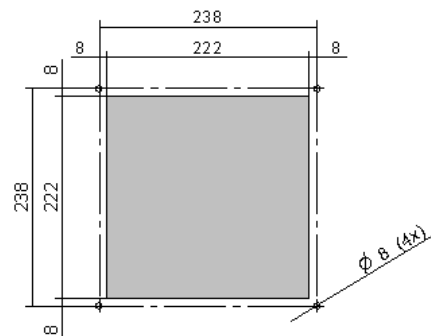
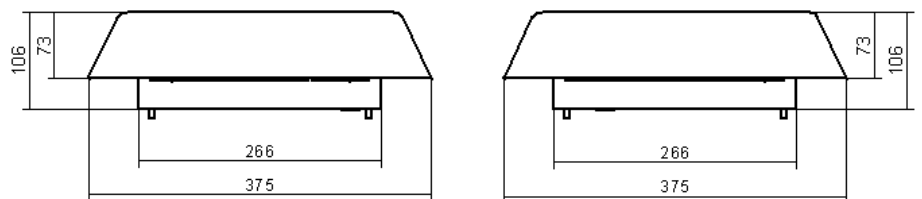
Filter unit 325x325 mm	
Pack of 10 cloth filters for FAN35	FIL35XNOB
Pack of 10 cloth filters for FAN35 high filtering capacity	AAFFN35
0-60°C thermostat, NO 10A	AAFTO12
5-60°C thermostat, change-over contact 10A	AAWTS10
Filter Kit for IP54 protection level	C15000376

REMARK : The drilling templates are merely indicative.

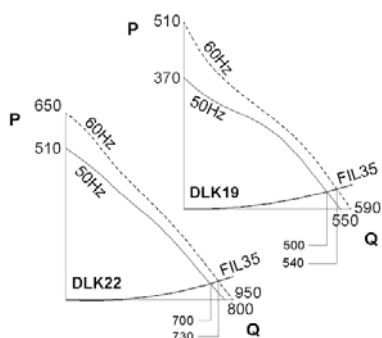
Always put in touch with our technical-sales department for further explanation you should need.



## Dimensions



## Performances



P = Static pressure (Pa)  
Q = Air flow rate (m<sup>3</sup>/h)

## Drilling template